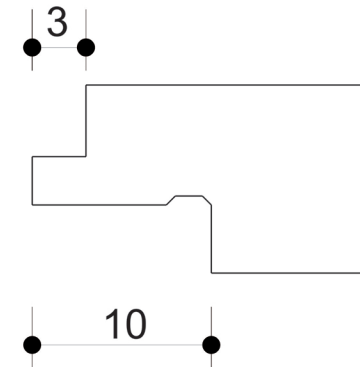
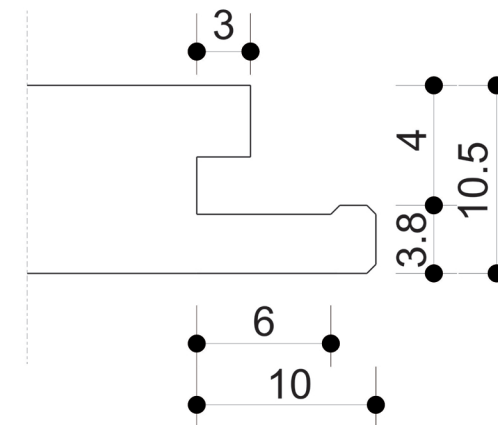


SECTION-A



SECTION-B



Planks in 1220x145mm, in 10,5mm thickness, with an acoustic cork membrane to the backing, an HDF with locking system, a core cork membrane printed with realistic surface technology, finished with a hot coating varnish.